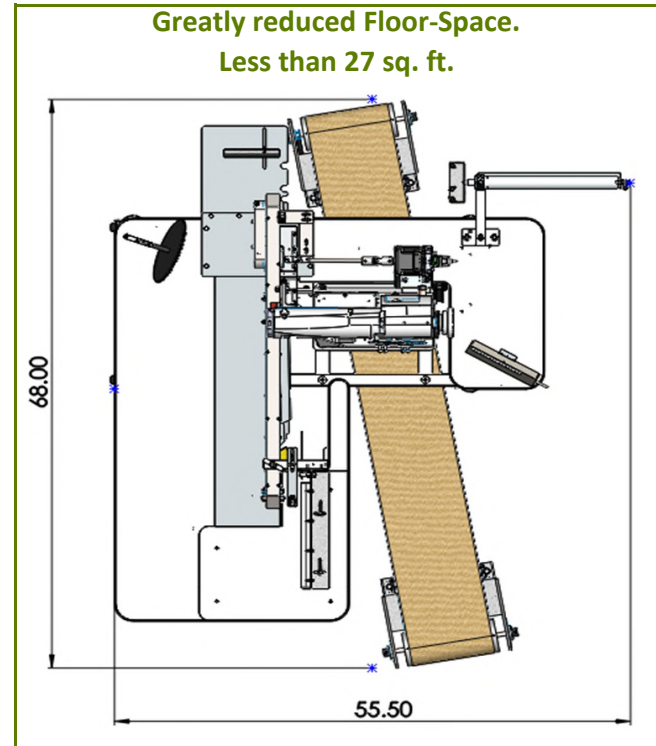
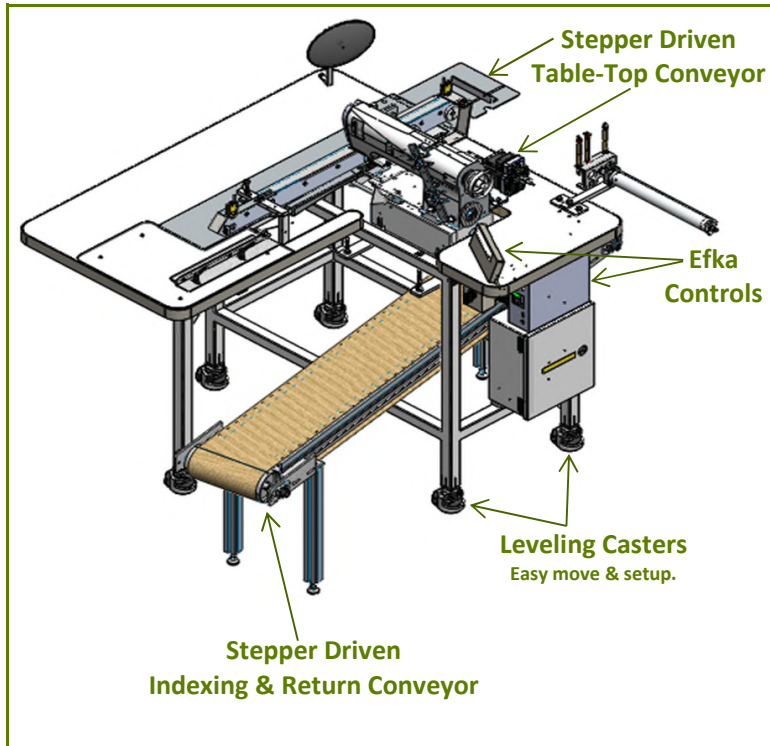


# VMW PH-1500-EC

Coming Fall of 2019!

You asked for it, we done it. Taking the VMW Quality and Craftsmanship into the Next Generation.  
The ALL NEW VMW Chain Stitch Pocket Hemming Machine for Woven Fabrics.



**60 Hemmed & Stacked Pockets per Minute.**

**Easy adjustability for Sewing Head, Table-Top Conveyor and Pocket Return Conveyor.**

**VMW**

Automated Apparel Equipment

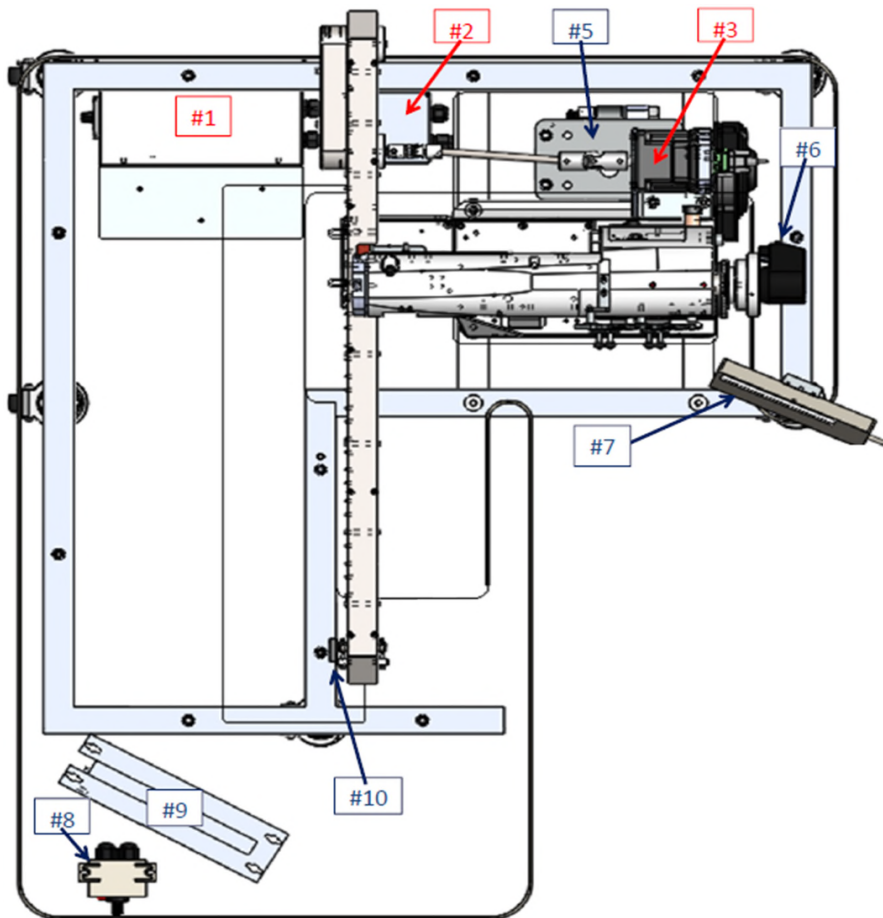


Collier Equipment, Inc. Ph: (256) 229-6595 / Fx: (256) 229-6779  
100 Mill Creek Circle / PO Box 175 / Lexington, Alabama 35648 USA

Manufacturing Automated Machines for the Needle Industry

# Convert your existing VMW Hemming Machine with all NEW Controls

VMW Part No. 7-PH1046TTNF-EC



## Electronic TT Conveyor Drive Assembly

Item	Description
1.	EC Drive Control Box Assy.
2.	Electrical Junction Box Assy.
3.	Electronic Drive & U-Joint Assy.

For Pfaff 5642 / Pegasus TM625

## Efka DC1500 / AB221 Assembly

5.	Efka DC1500 Under Table Assy.
6.	Efka Rotary Synchronizer
7.	Efka V820 Programmer
8.	Main Power On/Off Switch
9.	Efka AB221 Control Box
10.	Efka LSM002 Photocell

Installation time:

Approximately 8-12 hours.

# VMW

Automated Apparel Equipment

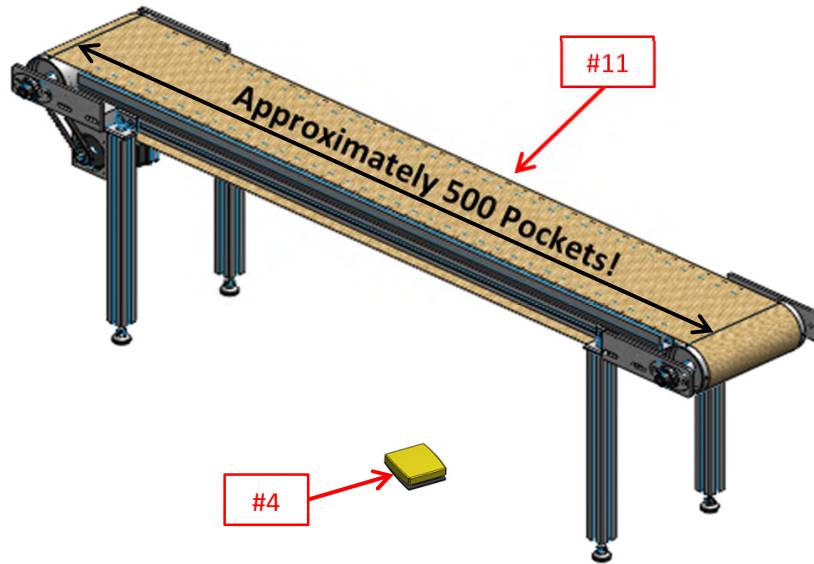


Collier Equipment, Inc. Ph: (256) 229-6595 / Fx: (256) 229-6779  
100 Mill Creek Circle / PO Box 175 / Lexington, Alabama 35648 USA

Manufacturing Automated Machines for the Needle Industry

# Electronic Indexing & Return Conveyor for your VMW Hemming Machine

VMW Part No. 7-PH1046TTNF-ERC



## Electronic Indexing & Return Conveyor

Item	Description
4.	Manual Convey Pedal
11.	Electronic Conveyor Assy.

## NOTE:

The Conveyor works in conjunction with the 7-PH1046TTNF-EC Controls.

It is not a Stand-Alone Unit.

# VMW

Automated Apparel Equipment



Collier Equipment, Inc. Ph: (256) 229-6595 / Fx: (256) 229-6779  
100 Mill Creek Circle / PO Box 175 / Lexington, Alabama 35648 USA

Manufacturing Automated Machines for the Needle Industry