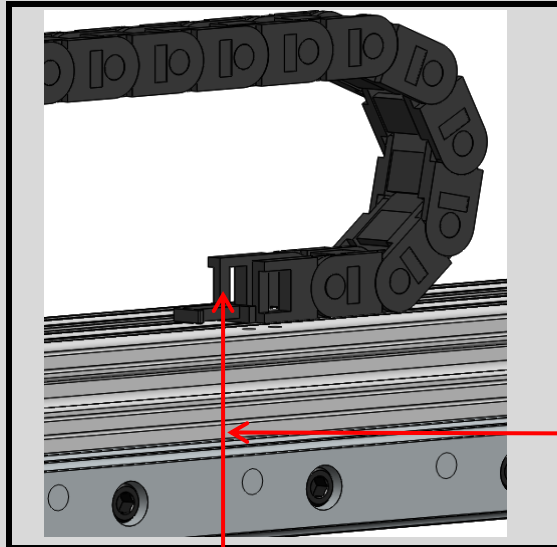
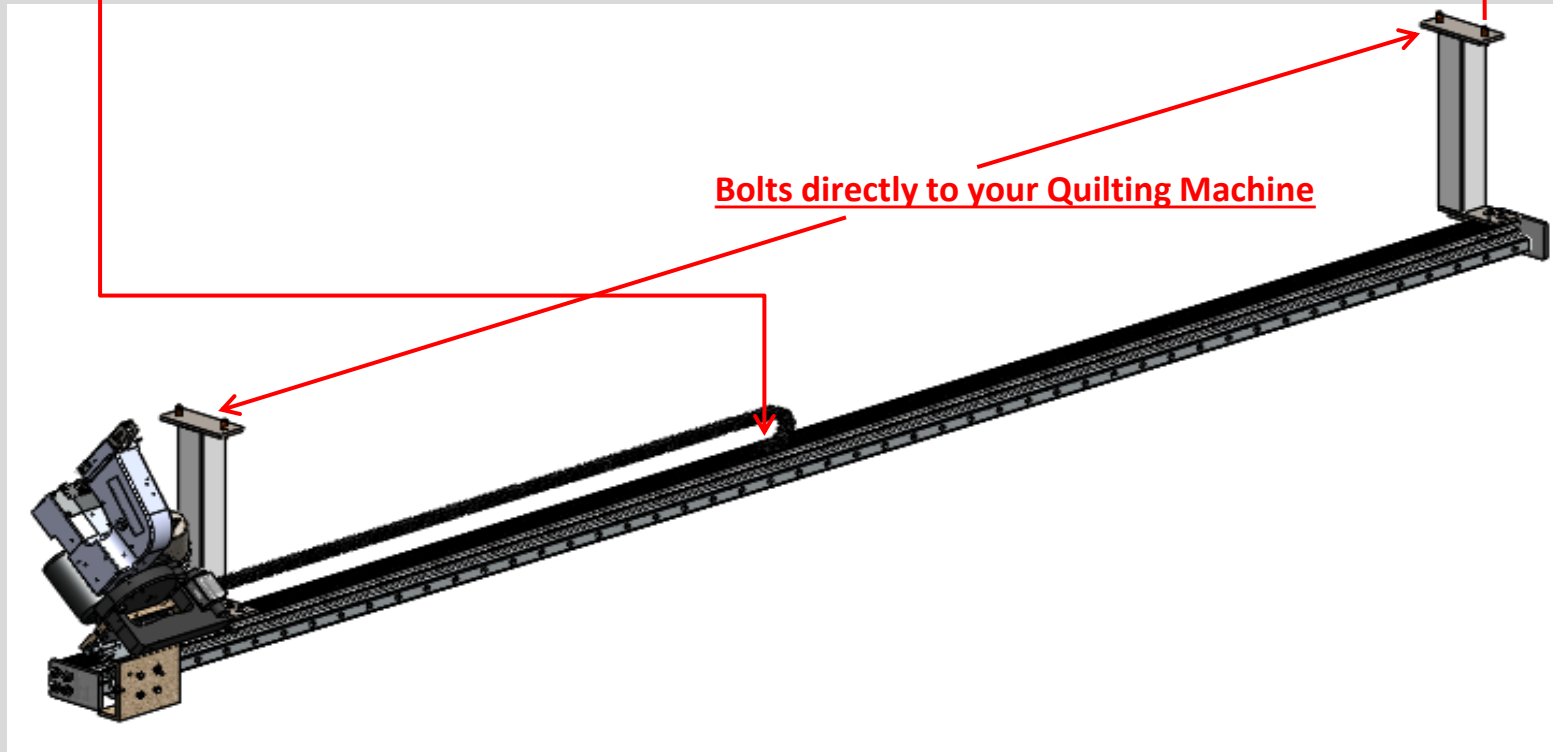
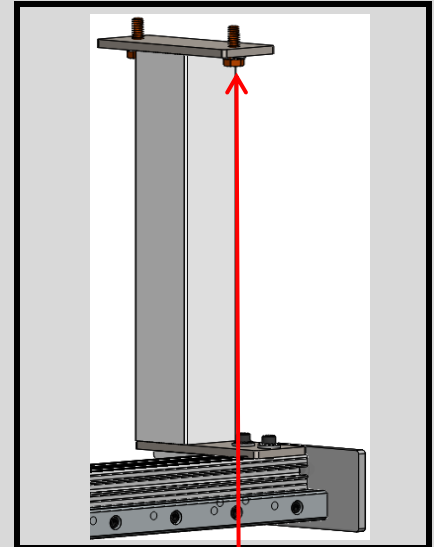




CEDAR Systems Roll Joining Device



Machine wire exits here.
220V Single Phase Supply is needed



Bolts directly to your Quilting Machine