

CEDAR Special

CS-101-D3

INDUSTRIAL BLINDSTITCH MACHINE



www.cedarspecial.com

Collier Equipment
100 Mill Creek Circle/Po Box 175
Lexington, Alabama 35648 USA
Phone: (256)229-6595 Fax: (256)229-6779

INSTRUCTION MANUAL & PARTS LIST 19.12

Instruction Manual

INDEX

- 1.Unpacking Machine
- 2.Setting-up Machine
- 3.Rotating Handwhel and speed
- 4.Oiling and Maintenance
- 5.Replacing Needle
- 6.Threading Machine
- 7.Inserting the Work and Starting to sew
- 8.Adjusting of Needle Penetration
- 9.Regulation Stitch Length
- 10.Recommendaion Needle
- 11.Skip Stitch Device
- 12.Removing the Work from the Machine
- 13.Cloth Retainer Spring Adjusting(for CM-101-H)

1. Unpacking Machine

Open packing box by carefully removing its cover so as not to damage the machine or those of its parts which project from the top, such as the tension parts.

Small accessory parts are packed separately in individual packages. Do not discard any packing materials without prior scrutiny as to contents.

Clean from machine all greases, dirt or dust. Pay particular attention to area around the looper mechanism and looper.

2. Setting-up Machine

Assemble knee lifter lever to machine and place on sewing table so that lever is 13m/m distant from the front edge of the table. Line up belt groove in belt pulley of handwheel with belt groove of drive mechanism (motor or clutch).

Mark three screw hokes for fastening machine to sewing table and place felt pad under machine bed before machine is tightened down.

3. Handwheel Rotation and Speed

Turn handwheel only in direction away from operator for clockwise rotation. Be sure motor drive is wired up to obtain the same clockwise rotation. The recommended operating speed of a brand new machine is 1,800 to 2,000 stitches per minute. After a breaking-in the operation of the machine, the speed can be increased up to 2,500 stitches per minute.

4. Oiling and Maintenance

It is important not to operate the machine before oil of good quality has been filled in each oil hole along the top of machine. When using a new machine oiling should be done sparingly several times a day. Thereafter, oiling once daily will be sufficient. After oiling, wipe machine carefully to avoid soiling of the material.

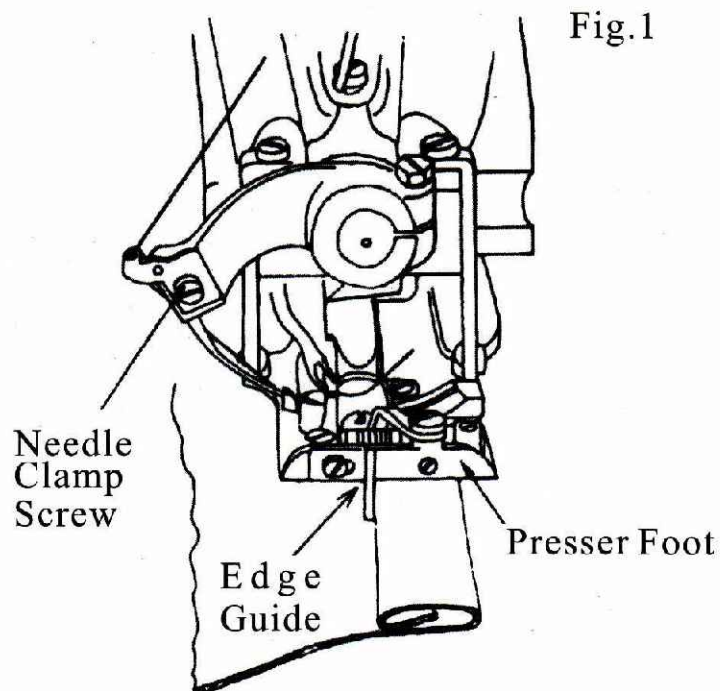
Do not operate without material under the presser foot unless the knee lever is depressed. This will prevent damage of needle and feed dog as well as feed plates.

5. Replacing Needle

Turn handwheel away from operator (clockwise) until needle reaches the end of its return stroke (extreme left hand position). Adjust penetration dial to least amount of penetration (turn clockwise towards 1).

Remove old or defective needle by loosening needle clamp screw. Insert new needle into seat in needle clamp as far as it will go. Tighten needle clamp screw.

Turn handwheel slowly away from operator and observe movement of needle. The curved portion of the needle should bear slightly on the needle guide groove in the left hand of the presser foot.



Always replace bent or blunt needles. They affect the satisfactory operation of the machine. (See Fig.1)

See par.10 concerning needle system to be used in Blindstitch Machines.

6. Threading Machine

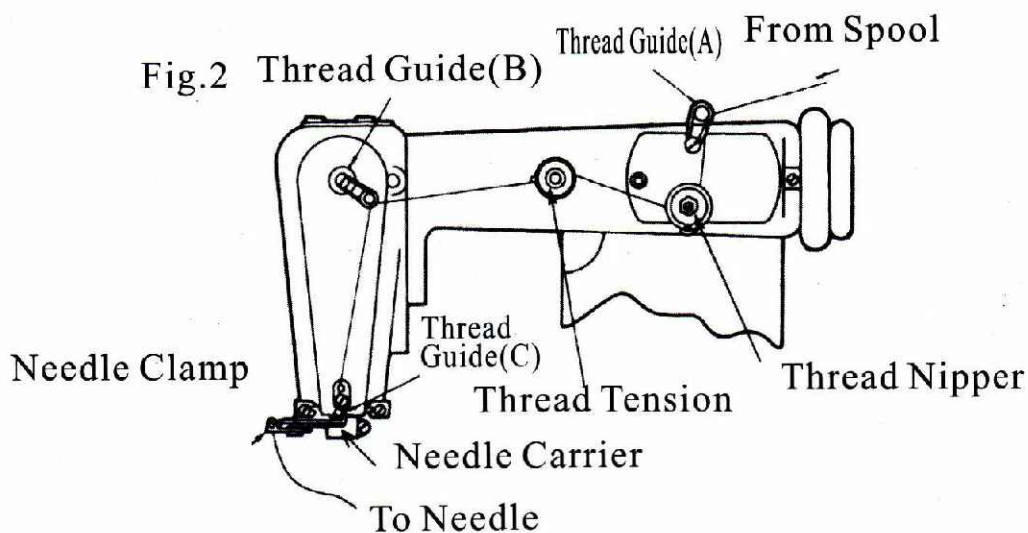
Turn handwheel of machine in clockwise direction away from operator until needle carrier reaches its furthest lefthand position.

And proceed as follows:

Draw thread from spool on thread stand and pass it through thread guide (A) which is located on rear side of thread nipper.

Place thread between tension discs of thread nipper and thread tension and lead it forward through thread guide (B) and pass it through thread guide (C) at the top of the arm near its front.

From there pass thread through hole in needle clamp and then through the eye of needle from below upward. Pull about 5cm of thread through the eye of needle. (see Fig2)



7. Inserting the work and Starting to Sew

Depress knee lifter. This causes the feed plate to swing downward and creates a gap between the presser foot and the feedplate.

Insert the work in the gap just opened in such a manner that the folded or sewn edge of the material is alongside the edge guide of the presser foot. (see Fig. 1)

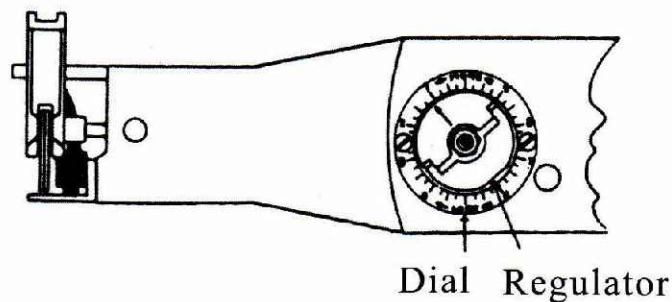
When the material is in proper position, completely release the knee lifter. Get the machine started slowly and watch the material pass edge guide rather than to observe the action of the needle.

8. Adjustment of Needle Penetration

The type of material to be blindstitched governs the degree of needle penetration which is required. It is, therefore, recommended to stitch a few centimeters as a test and make adjustments for penetration depending on the appearance of the trial stitching.

Turn regulator clockwise for less penetration and counter-clockwise for more penetration. (Fig. 3)

Fig. 3



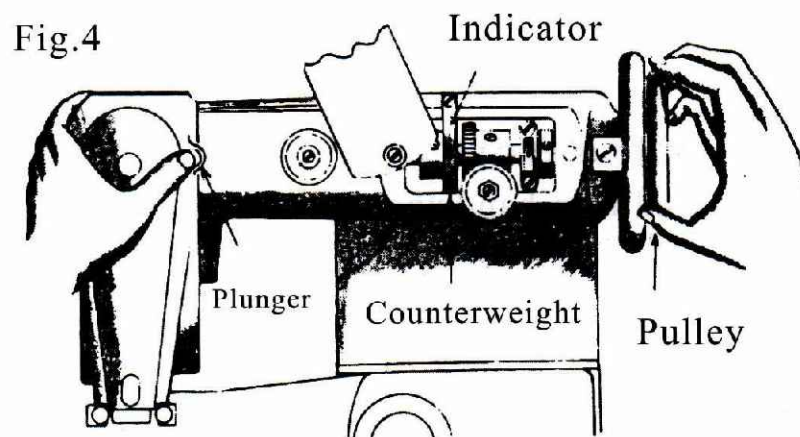
9. Stitch Length Regulation

Stitch length adjustment be easily effected by adjusting needle driving eccentric in arm.

Go about it as follows:

Turn handwheel by hand pushing plunger until same is felt to drop into a recess within the mechanism inside the arm of the machine.

With the plunger remaining depressed into this recess continue turning the handwheel either forward or in reverse until the desired number of stitches per inch is visible on indicator. (See Fig.4)



10..Needle Recommendation

The recommended needle is system LW X 61.

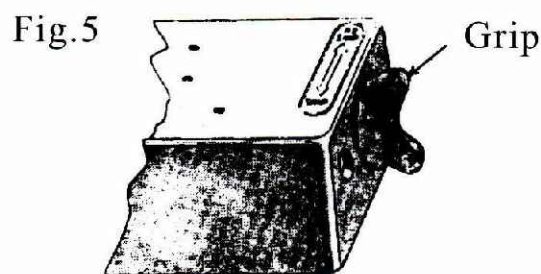
Size	Material
3 (11)	Cottons .Silks.Acetates,OrIon,Dacron and similar type of light weight fabrics.
3 ¹ / ₂ (14)	Medium weight materials.Woolens and Others.
4 (16)	Thick materials for coats,house furnishings.

11. Skip Stitch Device

The position of grip at the right side of the machine controls the skip stitch device. (see Fig.5)

When this grip points towards NO SKIP. The needle catches the material at each stitch. Pointing towards SKIP. The needle penetrates the material at every other stitch.

Be sure that grip is pushed completely in either direction and needle penetration redj used every time operation is changed from skip to nonskip.



12. Removal of the Work from the Machine

Stop machine and turn handwheel away from operator until needle is completely out of the material. Press the knee lifter to the right and pull the work-piece rearward out of the machine with a quick stroke. This will lock the last stitch and break the thread.

13. Cloth Retainer Spring Adjustment (for CM-101-H)

The tension of cloth retainer spring can be adjusted by turning the cloth retainer spring adjusting screw (see Fig.6)

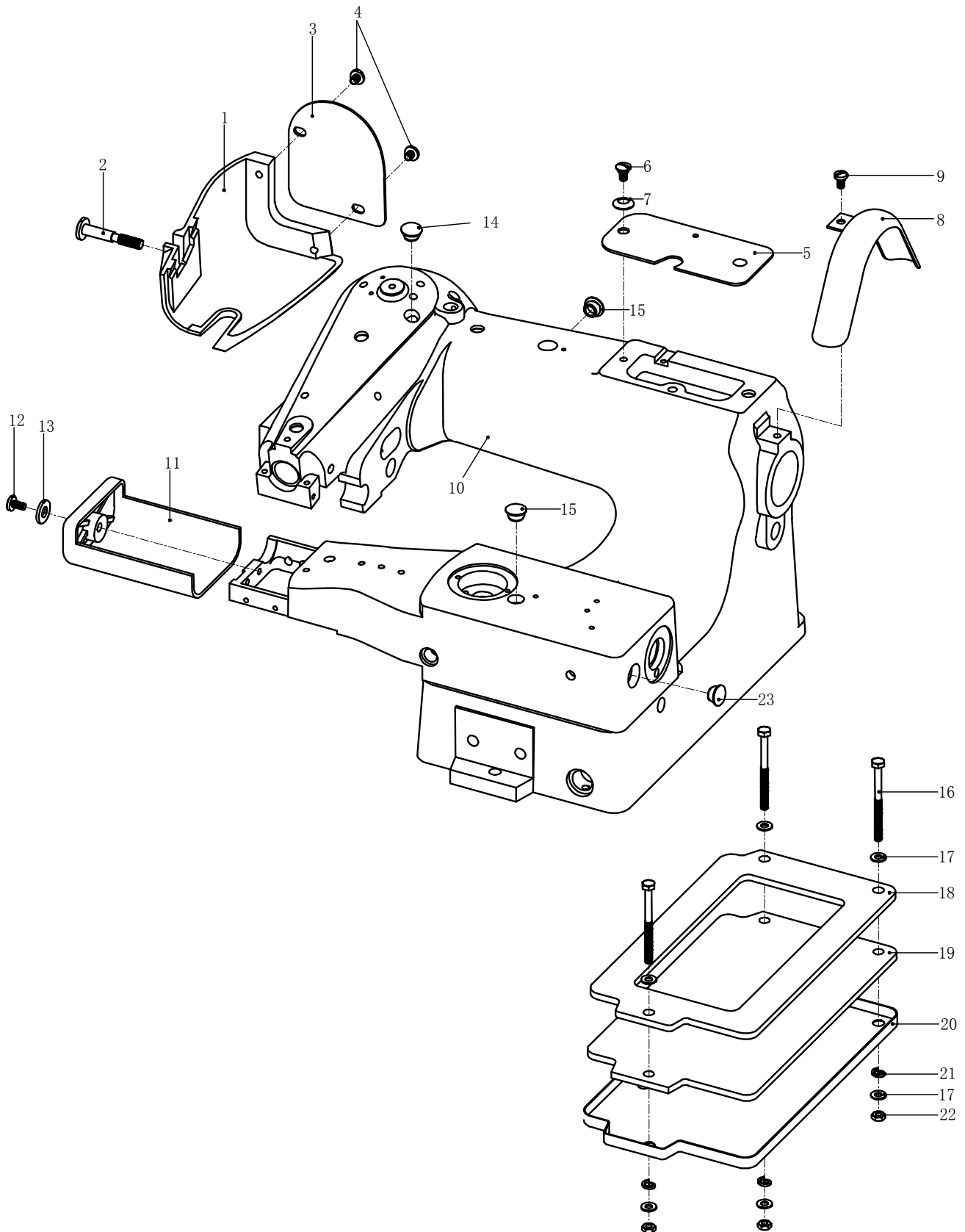
To increase the tension of cloth retainer spring, turn this screw to the right (clockwise). It is suitable for thicker material.

To decrease the tension, turn this screw to the left (counter-clockwise). It is suitable for thinner material.



A. Machine Frame & Covers Components	14
B. Main Shaft Mechanism Components	16
C. Needle Carrier & Feed Dog Mechanism Components	18
D. Looper Drive Mechanism & Presser Foot Parts Components	22
E. Ridge Forming Disc & Feed Plate Mechanism Components	24
F. Disc Oscillating Mechanism & Knee Press Shaft Parts Components	28
G. Thread Tension & Nipper Parts Components	32
H. Work Plate , Knee Press & Belt Cover Parts Components	34
I. Standard Accessories	36
C S- 1 0 1 - H	
J. Work Plate , Knee Press & Belt Cover Parts Components	38

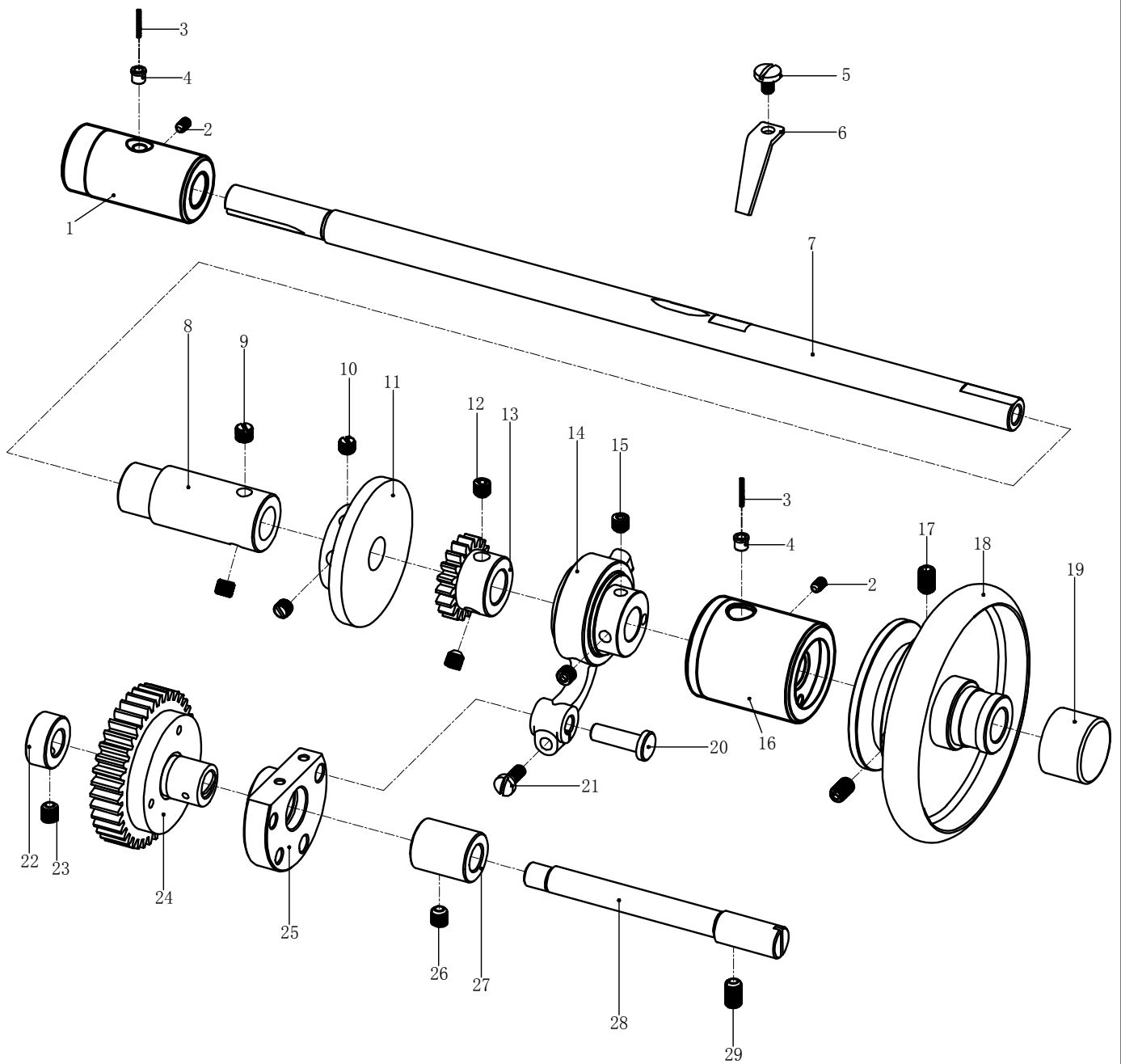
A. Machine Frame & Covers Components



A. Machine Frame & Covers Components

Ref.No	Assemble.No	Parts.No	Description	Num
1	101A-01	A01-01	Arm Side Cover	1
2	101A-02	LD00500	Screw(15/64-28×21)	1
3	101A-03	A01-03	Arm Side Cover Plate	1
4	101A-04	LD00007	Screw(3/16-32×5.5)	2
5	101A-05	A01-05	Arm Top Cover Plate	1
6	101A-06	LD00501	Screw(3/16-32×5.8)	1
7	101A-07	DQ00004	Arm Top Cover Plate Washer	1
8	101A-08	A01-08	Belt Guard	1
9	101A-09	LD00502	Screw(3/16-32×8)	1
10	101A-10	A01-10-E	Machine Frame	1
11	101A-11	A01-11	End Cover	1
12	101A-12	LD00503	Screw(11/64-40×10)	1
13	101A-13	DQ00026	Shim	1
14	101A-14	V01-39	Rubber Stopper	1
15	101A-15	A01-01-B	Rubber Stopper	2
16	101A-16	F J1-13	Machine frame	3
17	101A-17	F J1-14	Copper oil pipe line	6
18	101A-18	F J1-16-1	Copper oil pipe 5	1
19	101A-19	F J1-21	Rubber cap 16.5	1
20	101A-20	A01-13-1	Three-ring of thread take-up	1
21	101A-21	DQ00014	Haploporeof thread take-up	3
22	101A-22	LM00006	Pendulum shaft frontal cover	3
23	101A-23	A01-01-C	Rubber Stopper	1

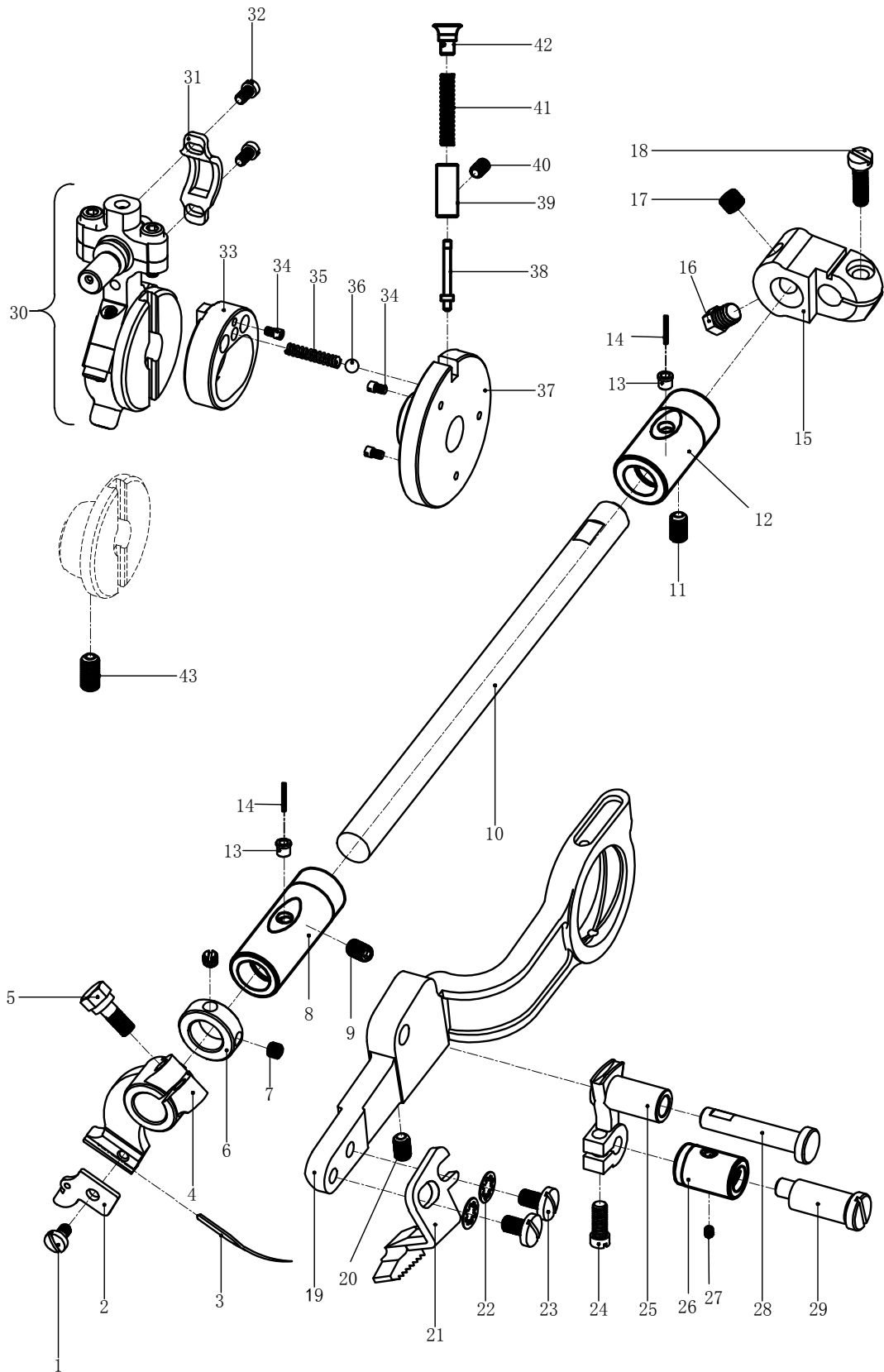
B. Main Shaft Mechanism Components



B. Main Shaft Mechanism Components

Ref.No	Assemble.No	Parts.No	Description	Num
1	101B-01	A02-01	Main Shaft Bushing (Front)	1
2	101B-02	LD00001	Screw(M6×10)	2
3	101B-03	927C012	The Oil Line	2
4	101B-04	A03-01	Oil Cap	2
5	101B-05	LD00504	Screw(9/64-40×5.7)	1
6	101B-06	A02-08	Stitch Length Indicator	1
7	101B-07	A02-11	Main Shaft	1
8	101B-08	A02-12	Thread Tension Releasing Eccentric	1
9	101B-09	LD00505	Screw(1/4-40×5.2)	2
10	101B-10	LD00506	Screw(15/64-28×5)	2
11	101B-11	A02-05	Counterweight	1
12	101B-12	LD00003	Screw(M6×6)	2
13	101B-13	A02-14	Skip Stitch Gear (small)	1
14	101B-14	A02-16	Eccentric Rod Assmely	1
15	101B-15	LD00003	Screw(M6×6)	2
16	101B-16	A02-10	Main Shaft Bushing (Rear)	1
17	101B-17	LD00001	Screw(M6×10)	2
18	101B-18	A02-29	Hand Wheel	1
19	101B-19	A02-31	Hand Wheel Rubber Cap	1
20	101B-20	A06-11	Eccentric Rod Stud	1
21	101B-21	LD00507	Screw(11/64-40×11.8)	1
22	101B-22	K2-20	Skip Stitch Gear Shaft Collar	1
23	101B-23	LD00003	Screw(M6×6)	1
24	101B-24	A02-23	Skip Stitch Gear Assembly	2
25	101B-25	A02-24	Eccentric Rod Connection	1
26	101B-26	LD00003	Screw(M6×6)	1
27	101B-27	A02-27	Skip Stitch Gear Shaft Collar	1
28	101B-28	A02-25	Skip Stitch Gear Shaft	1
29	101B-29	LD00001	Screw(M6×10)	1

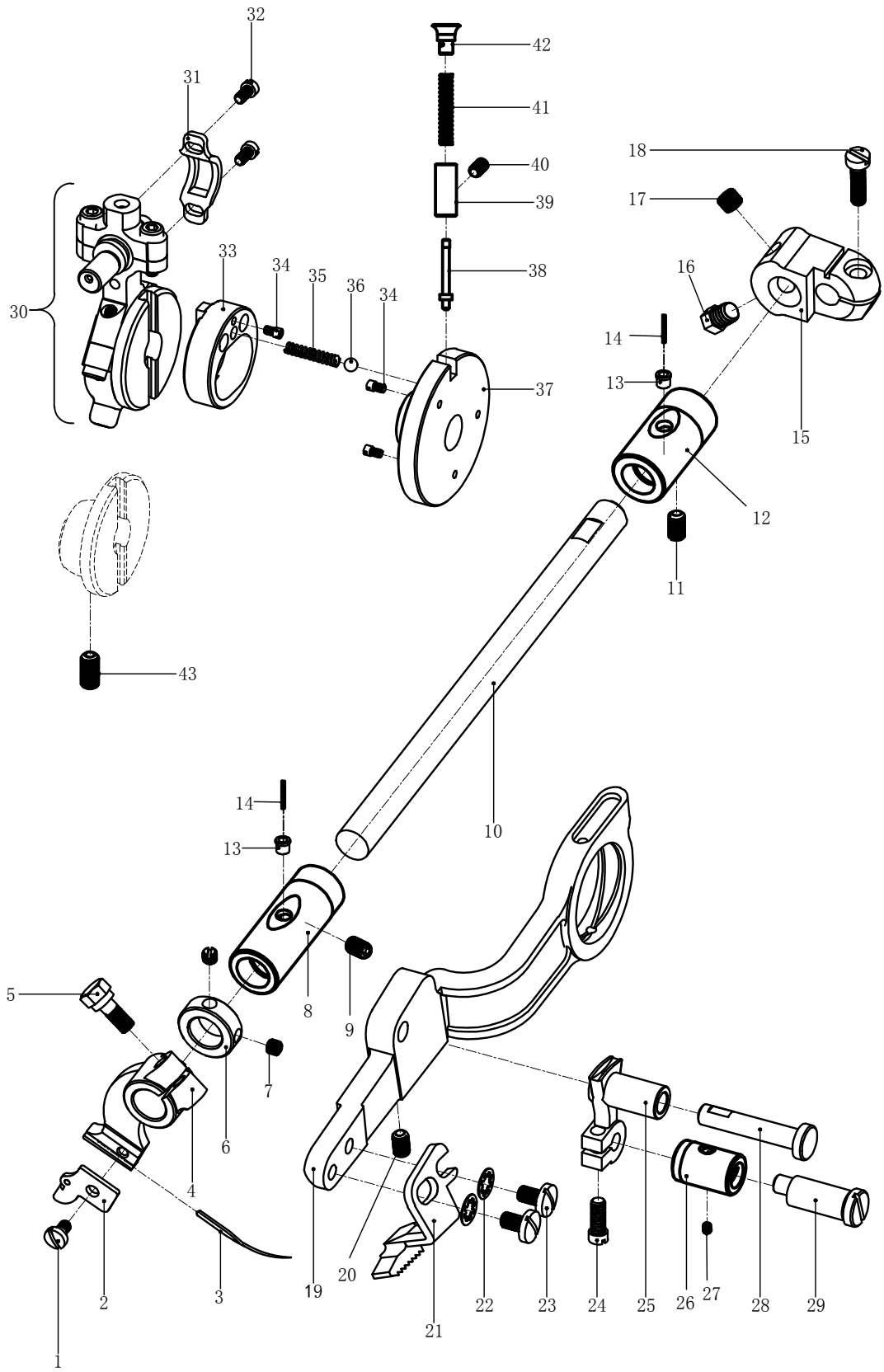
C. Needle Carrier & Feed Dog Mechanism Components



C. Needle Carrier & Feed Dog Mechanism Components

Ref.No	Assemble.No	Parts.No	Description	Num
1	101C-01	LD00508	Screw(9/64-40×7.7)	1
2	101C-02	K3-19	Needle Clamp	1
3	101C-03	BZ1-13	Needle (System LW × 6T)	1
4	101C-04	A03-03	Needle Carrier	1
5	101C-05	LD00509	Screw(3/16-32×16.5)	1
6	101C-06	A03-06	Needle Carrier Shaft Collar	1
7	101C-07	LD00510	Screw(11/64-40×4)	2
8	101C-08	M02-32	Needle Carrier Shaft Bushing (Front)	1
9	101C-09	LD00099	Screw(M5×8)	1
10	101C-10	A03-05	Needle Carrier Shaft	1
11	101C-11	LD00099	Screw(M5×8)	1
12	101C-12	M02-31	Needle Carrier Shaft Bushing (Rear)	1
13	101C-13	A03-01	Oil Cap	2
14	101C-14	927C012	Oil Line	2
15	101C-15	A03-12	Needle Carrier Shaft Crank	1
16	101C-16	LD00511	Screw(1/4-40×10)	1
17	101C-17	LD00505	Screw(1/4-40×5.2)	1
18	101C-18	LD00512	Screw(11/64-40×16)	1
19	101C-19	A03-27	Feed Lever	1
20	101C-20	LD00099	Screw(M5×8)	1
21	101C-21	A03-30	Feed Dog	1
22	101C-22	DQ00012	Feed Dog Washer	2
23	101C-23	LD00513	Screw(3/16-32×8)	2
24	101C-24	LD00514	Screw(11/64-40×11)	1
25	101C-25	A03-33-A	Feed Link	1
26	101C-26	A03-37	Feed Link Eccentric Stud Bushing	1
27	101C-27	LD00083	Screw(M5X5)	1
28	101C-28	A03-33-B	Feed Stud	1
29	101C-29	A03-36	Feed Link Eccentric Stud	1
30	101C-30	A03-18	Needle Driving Eccentric Assembly	1
31	101C-31	A03-25	Ball Connecting Rod Cap	1
32	101C-32	LD00518	Screw(1/8-44×6.5)	2
33	101C-33	A03-18-B	Spring H	1
34	101C-34	LD00538	Screw(3/32-56×3.3)	3

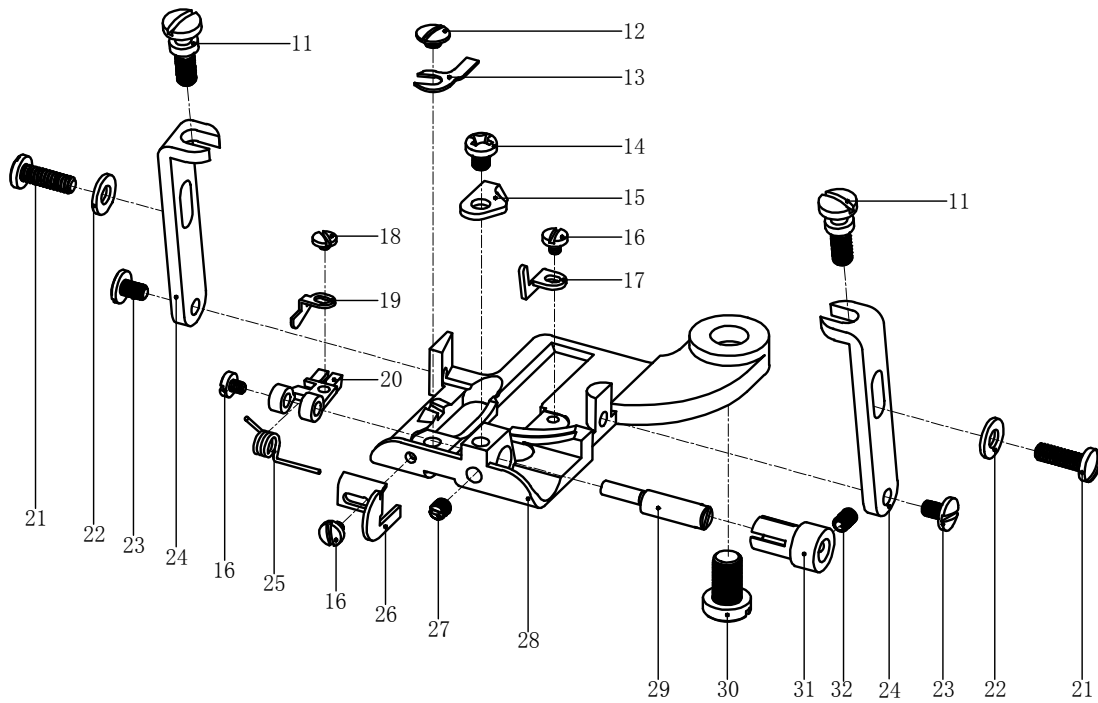
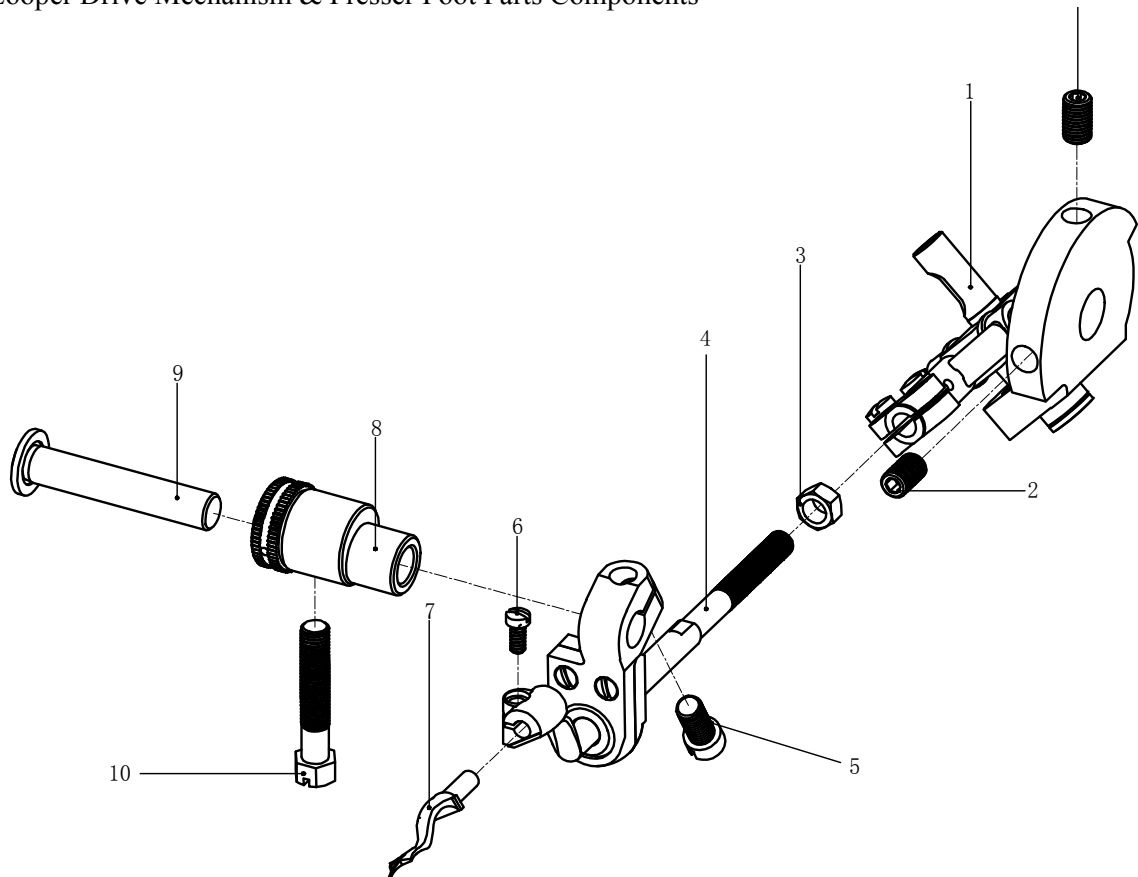
C. Needle Carrier & Feed Dog Mechanism Components



C. Needle Carrier & Feed Dog Mechanism Components

Ref.No	Assemble.No	Parts.No	Description	Num
35	101C-35	TH00001	Stitch Regulator Spring	1
36	101C-36	GZ00002	Stitch Regulator Ball	1
37	101C-37	A03-18-C	Washer 5	1
38	101C-38	A03-39-A	Piston pin	1
39	101C-39	A03-39	Piston cover	1
40	101C-40	LD00004	Screw(M4×4)	1
41	101C-41	TH00002	Piston spring	1
42	101C-42	A03-39-B	Piston button	1
43	101C-43	LD00539	Screw(7/32-32×11)	1

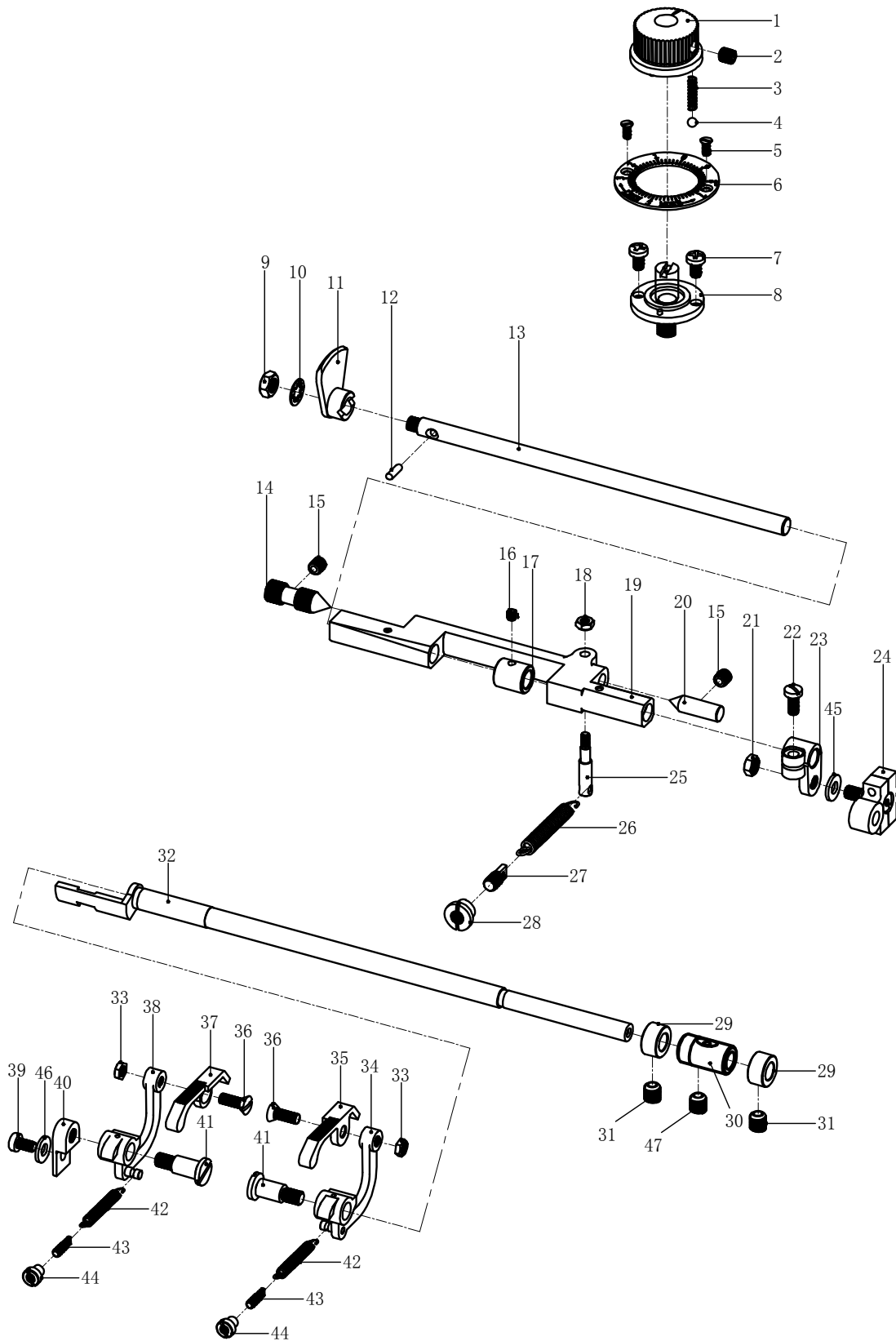
D. Looper Drive Mechanism & Presser Foot Parts Components



D. Looper Drive Mechanism & Presser Foot Parts Components

Ref.No	Assemble.No	Parts.No	Description	Num
1	101D-01	A04-01	Looper Drive Crank Assembly	1
2	101D-02	LD00063	Screw(15/64-28×10)	2
3	101D-03	LM00004	Looper Carrier Nut	1
4	101D-04	A04-09-A	Looper Carrier Assembly	1
5	101D-05	LD00517	Screw(7/32-32×11.5)	1
6	101D-06	LD00518	Screw(1/8-44×6.5)	1
7	101D-07	K3-32	Looper	1
8	101D-08	A04-17	Eccentric Sleeve	1
9	101D-09	A04-17-A	Eccentric Pin	1
10	101D-10	LD00519	Screw(15/64-28×30)	1
11	101D-11	LD00520	Screw(M4×9)	2
12	101D-12	LD00521	Screw(9/64-40×2.3)	1
13	101D-13	K3-58	Stitch Stabilizing Guide	1
14	101D-14	LD00086	Screw (9/64-40×4.3)	1
15	101D-15	A04-38	Cloth Retainer Stopper	1
16	101D-16	LD00522	Screw(3/32-56×2.5)	3
17	101D-17	K3-56	Chaining Finger	1
18	101D-18	LD00065	Screw(3/32-56×2)	1
19	101D-19	K3-62-1	Fixture plate guide sheet	1
20	101D-20	K3-62	Cloth Retainer	1
21	101D-21	LD00280	Screw(9/64-40×11.5)	2
22	101D-22	DQ00005	Washer	2
23	101D-23	LD00523	Screw(1/8-44×5.2)	2
24	101D-24	K3-48	Presser Foot Bracket	2
25	101D-25	A04-33	Cloth Retainer Spring	1
26	101D-26	K3-60	Edge Guide	1
27	101D-27	LD00524	Screw(9/64-40×4)	1
28	101D-28	A04-26	Needle Guide	1
29	101D-29	A04-34	Cloth Retainer Eccentric Stud	1
30	101D-30	LD00525	Screw(15/64-28×10)	1
31	101D-31	K3-67	Cloth Retainer Eccentric Stud Bushing	1
32	101D-32	LD00040	Screw(M3×3)	1

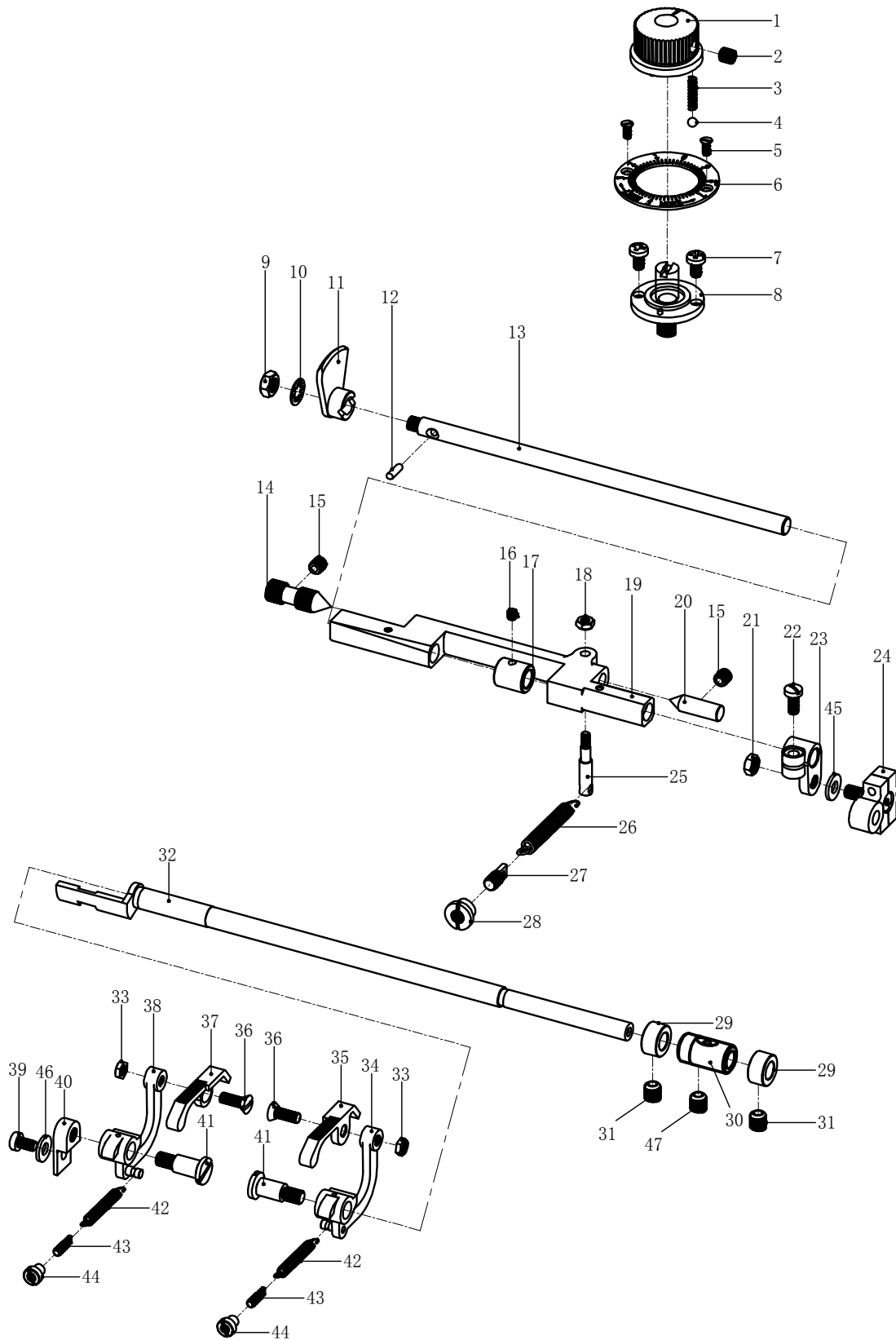
E. Ridge Forming Disc & Feed Plate Mechanism Components



E. Ridge Forming Disc & Feed Plate Mechanism Components

Ref.No	Assemble.No	Parts.No	Description	Num
1	101E-01	A05-39	Disc Adjusting Regulator Assembly	1
2	101E-02	LD00003	Screw(M6×6)	1
3	101E-03	TH00005	Disc Adjusting Regulator Spring	1
4	101E-04	GZ00001	Disc Adjusting Regulator Ball	1
5	101E-05	LD00342	Screw(1/8-44×7)	2
6	101E-06	A05-37	Disc Adjusting Dial	1
7	101E-07	LD00518	Screw(1/8-44×6.5)	2
8	101E-08	A05-45	Disc Adjusting Regulator Base	1
9	101E-09	LM00002	Ridge Forming Disc Nut	1
10	101E-10	DQ00006	Ridge Forming Disc Washer	1
11	101E-11	A05-01	Ridge Forming Disc	1
12	101E-12	A05-04	Ridge Forming Disc Positioning Pin	1
13	101E-13	A05-05	Ridge Forming Disc Shaft	1
14	101E-14	A05-14	Screw	1
15	101E-15	LD00003	Screw(M6×6)	1
16	101E-16	LD00004	Screw(M4×4)	1
17	101E-17	A05-06	Ridge Forming Disc Shaft Collar	1
18	101E-18	LM00007	Nut	1
19	101E-19	A05-13	Disc Adjusting Holder	1
20	101E-20	A05-16	Disc Adjusting Holder Pivot Bearing Pin	1
21	101E-21	LM00004	Ball Stud Nut	1
22	101E-22	LD00503	Screw(11/64-40×10)	1
23	101E-23	A05-08	Ridge Forming Disc Shaft Crank	1
24	101E-24	A05-10	Ball Joint& Stud Assembly With Screws	1
25	101E-25	A05-21	Disc Adjusting Holder Spring Stud	1
26	101E-26	TH00003	Disc Adjusting Holder Spring	1
27	101E-27	A05-19	Disc Adjusting Holder Spring Screw	1
28	101E-28	A05-20	Disc Adjusting Holder Spring Nut	1
29	101E-29	A05-26	Feed Plate Shaft Collar	2
30	101E-30	A05-24	Feed Plate Shaft Bushing	1
31	101E-31	LD00004	Screw(M4×4)	2
32	101E-32	A05-23	Feed Plate Shaft	1
33	101E-33	LM00001	Feed Plate Nut	2
34	101E-34	A05-28-B	Cylinder bed shaft sleeve	1

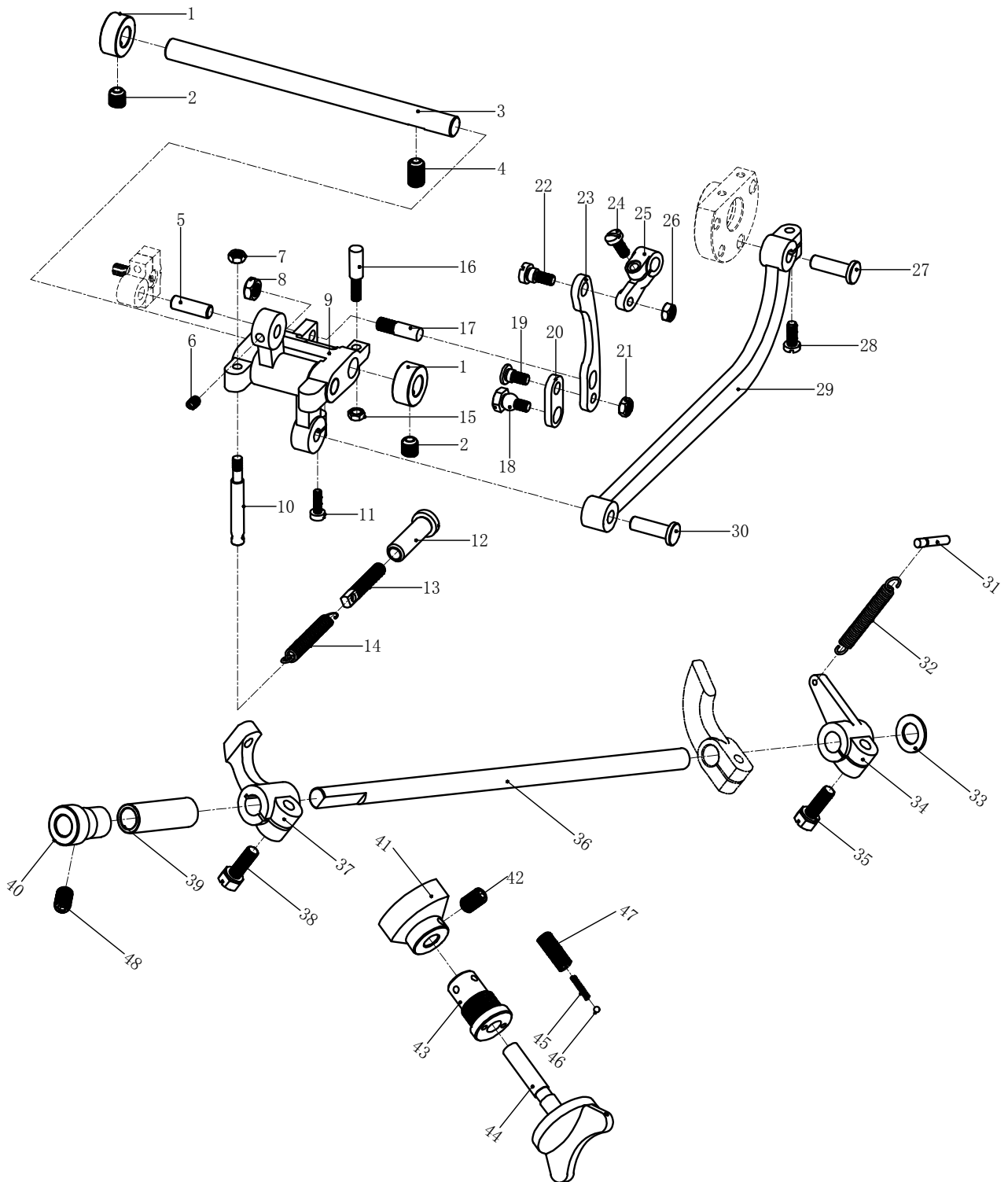
E. Ridge Forming Disc & Feed Plate Mechanism Components



E. Ridge Forming Disc & Feed Plate Mechanism Components

Ref.No	Assemble.No	Parts.No	Description	Num
35	101E-35	A05-28-D	Cylinder bed shaft	1
36	101E-36	LD00527	Screw(11/64-40×15)	2
37	101E-37	A05-28	Stopper ring	1
38	101E-38	A05-28-A	Spring L	1
39	101E-39	LD00010	Screw(11/64-40×11)	1
40	101E-40	A05-35	Feed Plate Bracket	1
41	101E-41	A05-31	Feed Plate Shoulder Bearing Screw	2
42	101E-42	TH00004	Feed Plate Spring	2
43	101E-43	A05-33	Feed Plate Spring Screw	2
44	101E-44	A05-34	Feed Plate Spring Adjusting Nut	2
45	101E-45	DQ00014	Spring Shim	1
46	101E-46	DQ00026	Washer	1
47	101E-47	LD00001	Screw(M6×10)	1

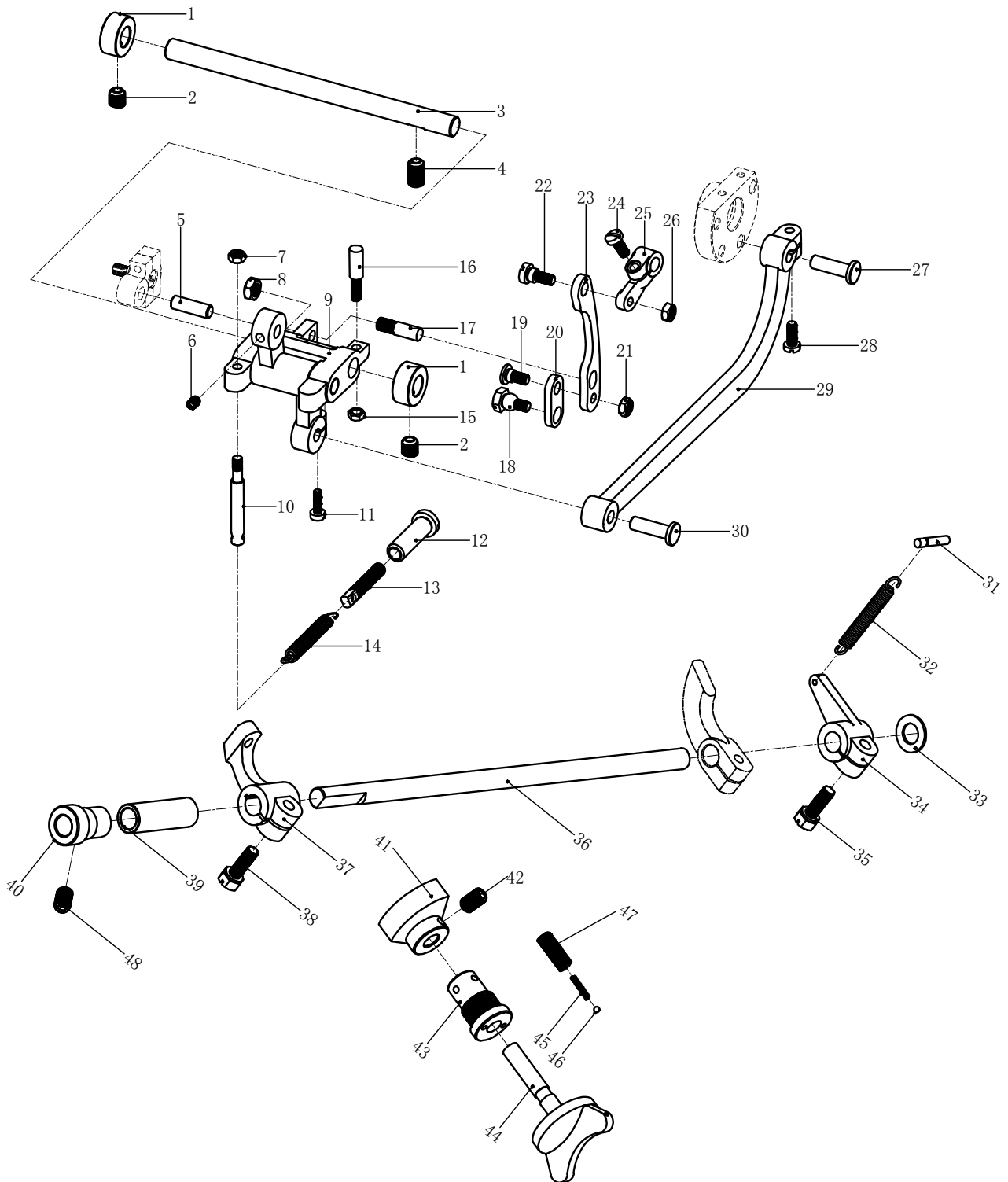
F. Disc Oscillating Mechanism & Knee Press Shaft Parts Components



F. Disc Oscillating Mechanism & Knee Press Shaft Parts Components

Ref.No	Assemble.No	Parts.No	Description	Num
1	101F-01	K2-20	Disc Oscillating Rod Bracket Shaft Collar	2
2	101F-02	LD00003	Screw(M6×6)	2
3	101F-03	A06-15	Disc Oscillating Rod Bracket Shaft	1
4	101F-04	LD00001	Screw(M6×10)	1
5	101F-05	A06-09	Disc Oscillating Rod Pin	1
6	101F-06	LD00178	Screw(11/64-40×3.2)	1
7	101F-07	LM00001	Nut	1
8	101F-08	LM00002	Connecting Link Guide Screw Nut	1
9	101F-09	A06-07	Disc Oscillating Rod Assembly	1
10	101F-10	A06-13	Disc Oscillating Rod Bracket Spring Stud	1
11	101F-11	LD00528	Screw(9/64-40×12)	1
12	101F-12	A06-03	Disc Oscillating Rod Bracket Spring Nut	1
13	101F-13	A06-02	Disc Oscillating Rod Bracket Spring Screw	1
14	101F-14	TH00006	Disc Oscillating Rod Bracket Spring	1
15	101F-15	LM00001	Skip-Stitch Selecting Cam Stud Nut	1
16	101F-16	A06-51	Skip-Stitch Selecting Cam Stud	1
17	101F-17	A06-24	Connecting Link Guide Screw	1
18	101F-18	A06-31	Crank & Link Shoulder Screw	1
19	101F-19	A06-29	Connecting Link Set Screw	1
20	101F-20	A06-28	Connecting Link (small)	1
21	101F-21	LM00008	Connecting Link Set Screw Nut	1
22	101F-22	A06-21	Crank & Link Shoulder Screw	1
23	101F-23	A06-23	Connecting Link (Large)	1
24	101F-24	LD00512	Screw(9/64-40×16)	1
25	101F-25	A06-19	Feed Plate Depressing Crank	1
26	101F-26	LM00008	Connecting Link Set Screw Nut	1
27	101F-27	A06-05	Connecting Rod Stud	1
28	101F-28	LD00503	Screw(11/64-40×10)	1
29	101F-29	A06-04	Connecting Rod	1
30	101F-30	A06-11	Disc Oscillating Rod Stud	1
31	101F-31	A06-41	Knee Press Stop Lever Clamp Screw	1
32	101F-32	TH00007	Knee Press Stop Lever Spring	1
33	101F-33	DQ00009	Knee Press Shaft Washer	1
34	101F-34	A06-38	Knee Press Stop Lever	1

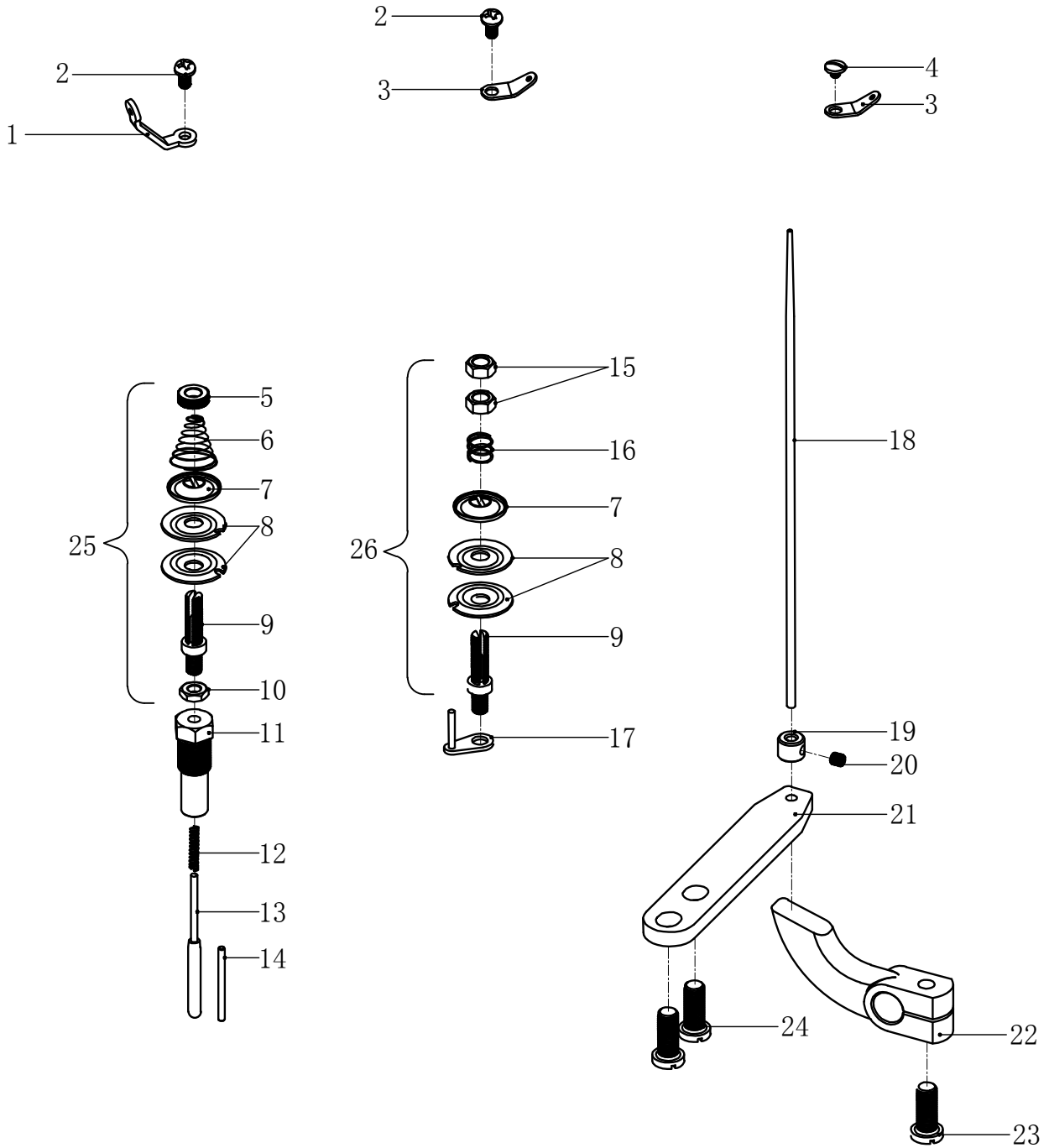
F. Disc Oscillating Mechanism & Knee Press Shaft Parts Components



F. Disc Oscillating Mechanism & Knee Press Shaft Parts Components

Ref.No	Assemble.No	Parts.No	Description	Num
35	101F-35	LD00529	Screw(15/64-28×17)	1
36	101F-36	A06-36	Knee Press Shaft	1
37	101F-37	A06-26	Knee Press Shaft Crank	1
38	101F-38	LD00529	Screw(15/64-28×17)	1
39	101F-39	A06-35	Knee Press Shaft Sleeve	1
40	101F-40	A06-32	Knee Press Shaft Bushing	1
41	101F-41	A06-49	Skip-Stitch Selecting Cam	1
42	101F-42	LD00099	Screw(M5×8)	1
43	101F-43	A06-48	Skip-Stitch Selecting Grip Bushing	1
44	101F-44	A06-44	Skip-Stitch Selecting Grip	1
45	101F-45	TH00001	Skip-Stitch Selecting Spring	1
46	101F-46	GZ00002	Skip-Stitch Selecting Ball	1
47	101F-47	A06-47	Skip-Stitch Selecting Spring Holder	1
48	101F-48	LD00003	Screw(M6×6)	1

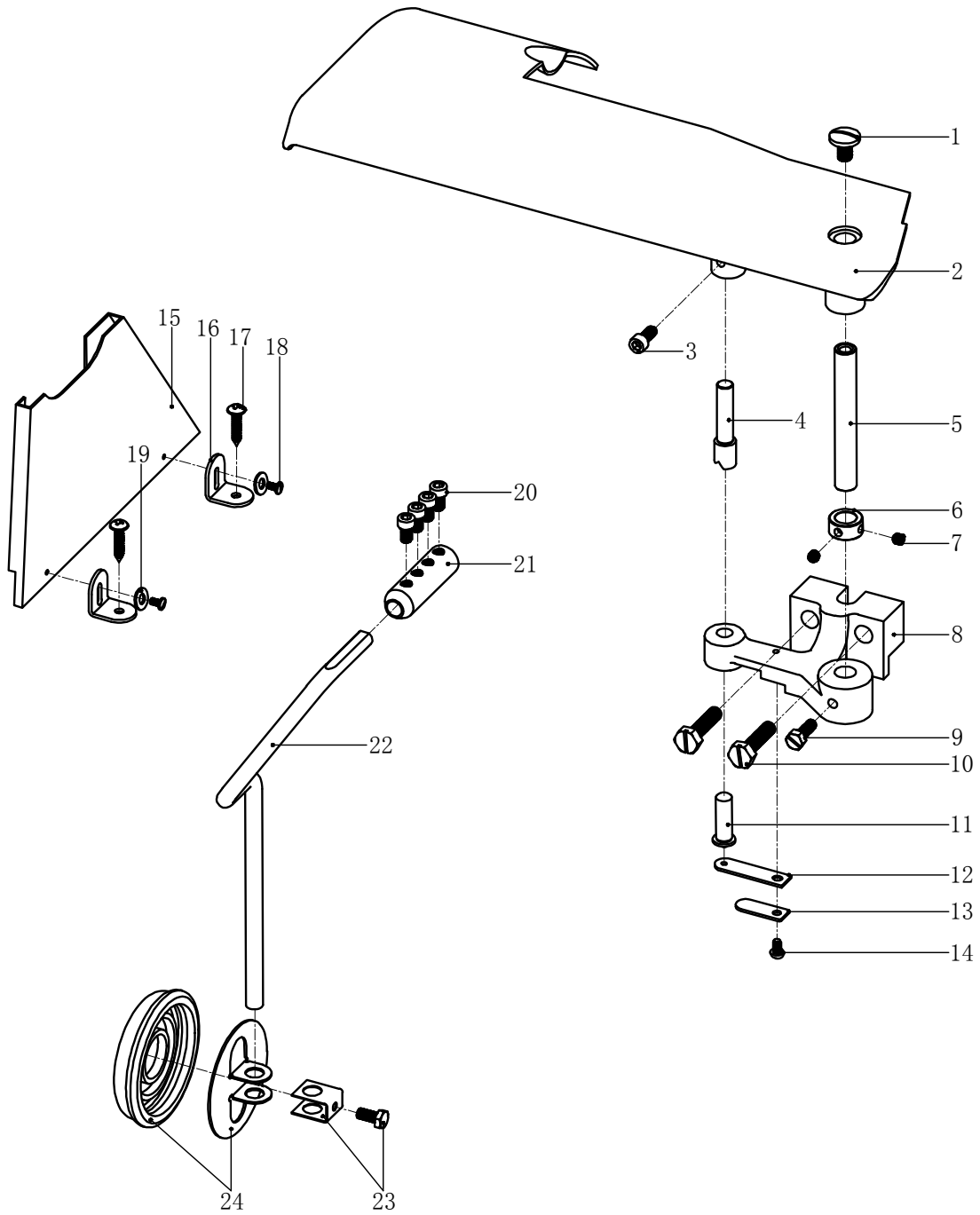
G. Thread Tension & Nipper Parts Components



G. Thread Tension & Nipper Parts Components

Ref.No	Assemble.No	Parts.No	Description	Num
1	101G-01	A07-01-A	Thread Guide With Ceramic	1
2	101G-02	LD00010	Screw(11/64-40×8)	2
3	101G-03	A07-12	Thread Guide	2
4	101G-04	LD00530	Screw(11/64-40×3)	1
5	101G-05	K1-29	Thread Tension Nut	2
6	101G-06	K1-28-B	Thread Tension Spring	1
7	101G-07	A07-05	Thread Tension Washer	2
8	101G-08	A07-06	Thread Tension Disc	4
9	101G-09	A07-08	Thread Tension Staff	2
10	101G-10	LM00002	Thread Tension Staff Nut	1
11	101G-11	A07-10	Thread Tension Staff Bracket	1
12	101G-12	TH00038	Belt Guard Spring	1
13	101G-13	A07-11	Thread Tension Releasing Pin	1
14	101G-14	A07-07	Thread Tension Disc Pin	1
15	101G-15	LM00010	Thread Nipper Nut	2
16	101G-16	A07-15	Thread Nipper Spring	1
17	101G-17	A07-19	Thread Nipper Disc Prop	1
18	101G-18	A07-20	Thread Nipper Releasing Pin	1
19	101G-19	A07-21	Thread Nipper Releasing Pin Collar	1
20	101G-20	LD00524	Screw(9/64-40×4)	1
21	101G-21	A07-23	Thread Nipper Releasing Pin Support	1
22	101G-22	A07-25	Thread Nipper Releasing Pin Lever	1
23	101G-23	LD00533	Screw(15/64-28×15)	1
24	101G-24	LD00532	Screw(15/64-28×10.8)	2
25	101G-25	A07-03/ZJ	Press Pole Components	1
26	101G-26	A07-14/ZJ	Wire Clip Component	1

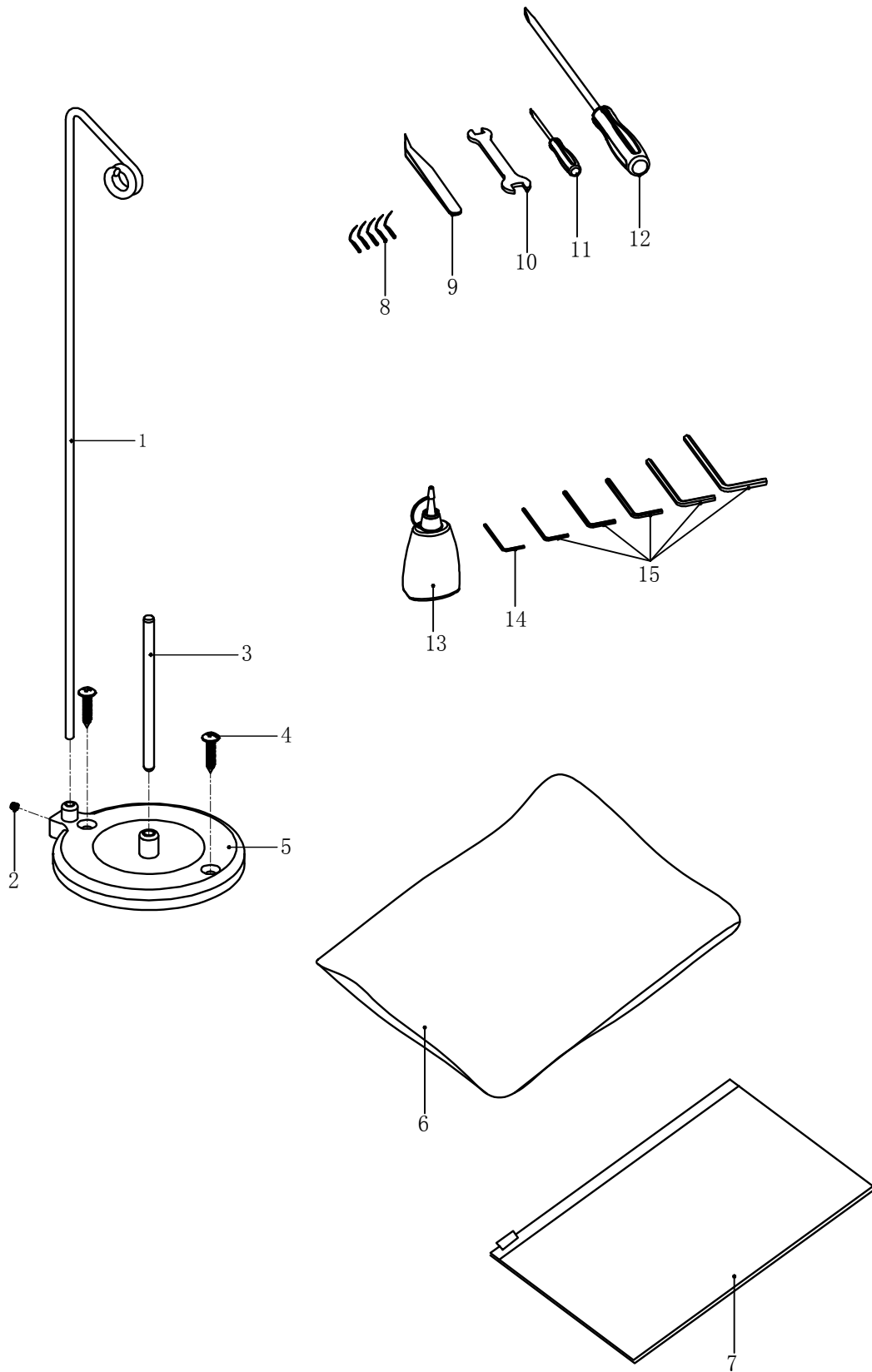
H. Work Plate, Knee Press & Belt Cover Parts Components



H. Work Plate, Knee Press & Belt Cover Parts Components

Ref.No	Assemble.No	Parts.No	Description	Num
1	101H-01	LD00534	Screw(5/16-24×13)	1
2	101H-02	A08-01	Work Plate	1
3	101H-03	LD00535	Screw(M6×14)	1
4	101H-04	A08-02	Work Plate Latch	1
5	101H-05	A08-10	Work Plate Shaft	1
6	101H-06	A08-12	Work Plate Shaft Collar	1
7	101H-07	LD00003	Screw(M6×6)	2
8	101H-08	A08-04	Work Plate Bracket	1
9	101H-09	LD00529	Screw(15/64-28×17)	1
10	101H-10	LD00536	Screw(5/16-24×32)	2
11	101H-11	A08-05	Work Plate Bracket Spring Pin	1
12	101H-12	A08-06	Work Plate Bracket Leaf Spring (long)	1
13	101H-13	A08-07	Work Plate Bracket Leaf Spring (short)	1
14	101H-14	LD00010	Screw (11/64-40×8)	1
15	101H-15	A01-09	Belt Cover	1
16	101H-16	A08-22	Belt Cover Bracket	2
17	101H-17	F j8-15-1	Belt Cover Wood Screw	2
18	101H-18	LD00537	Screw(9/64-40×7)	2
19	101H-19	DQ00005	Spring Washer	2
20	101H-20	LD00418	Screw(M6×10)	4
21	101H-21	F J9-15	Work Press Rod Sleeve	1
22	101H-22	F J7-21	Knee Press Rod	1
23	101H-23	F J7-26	Clamp Component	1
24	101H-24	F J7-22	By Knee Rubber	1

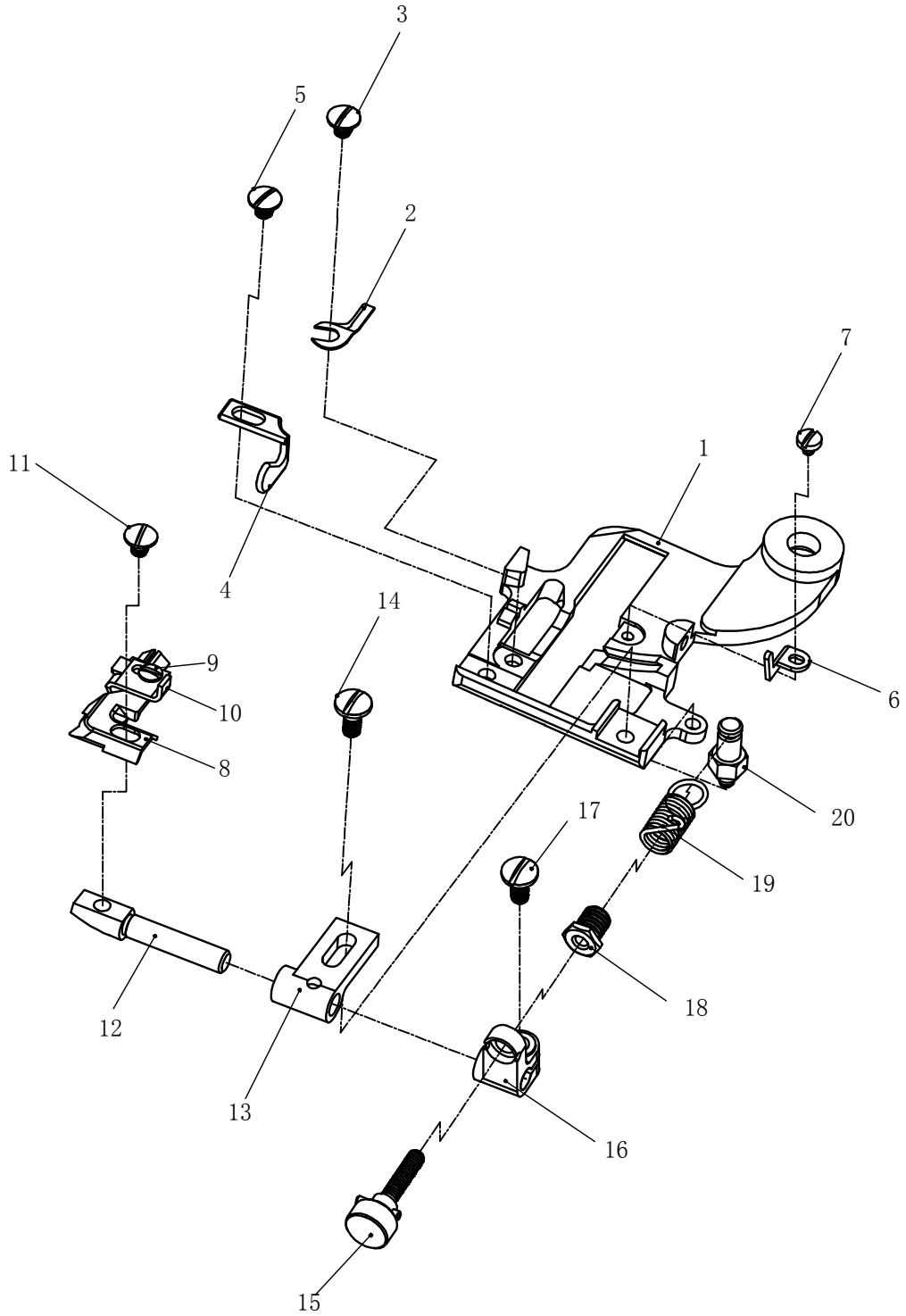
I. Standard Accessories



I. Standard Accessories

Ref.No	Assemble.No	Parts.No	Description	Num
1	101I-01	F J4-15	Thread Guide	1
2	101I-02	LD00004	Screw(M4×4)	1
3	101I-03	F J1-40	Spool Pin	1
4	101I-04	F J1-16	Cotton Stand Base Wood Screw	2
5	101I-05	F J4-15-1	Cotton Stand Base	1
6	101I-06	F J9-3	Belt Guard Nut	1
7	101I-07	F J-D-12	Belt Guard Screw	1
8	101I-08	BZ1-13	Needle System 11 LWX6T	1
9	101I-09	F J4-8	Side Bar Bolt M4	1
10	101I-10	F J4-3	Side Bar	1
11	101I-11	F J8-8	Screw Driver (Small)	1
12	101I-12	F J8-6	Screw Driver (Large)	1
13	101I-13	F J7-28	Rubber Cushion	1
14	101I-14	F J4-10	Machine Frame Set Washer	1
15	101I-15	F J4-11	Machine Frame Set Washer	1

J. Work Plate, Knee Press & Belt Cover Parts Components
CM-101-H

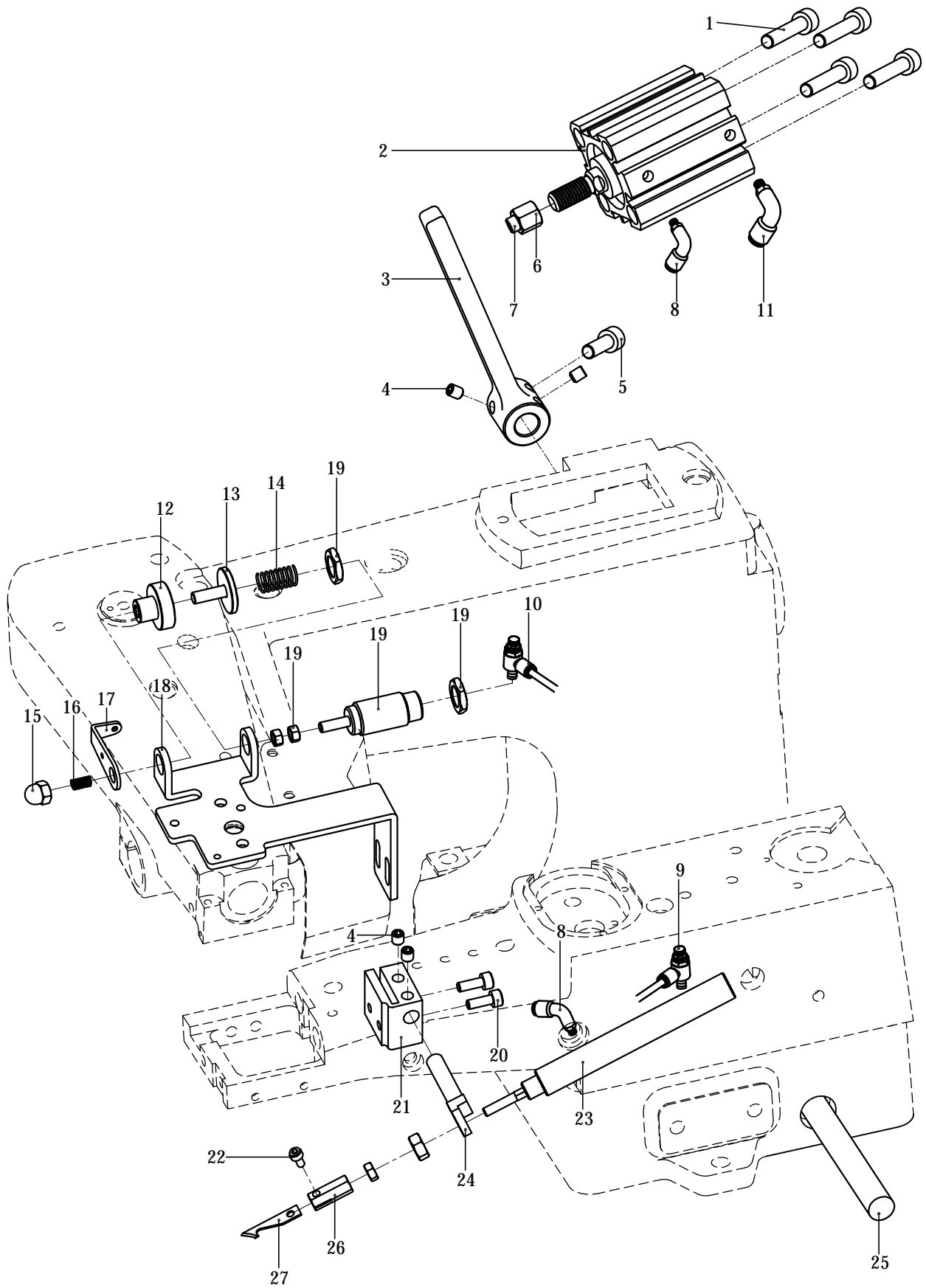


J. Work Plate, Knee Press & Belt Cover Parts Components
CM-101-H

Ref.No	Assemble.No	Parts.No	Description	Num
1	101J-01	H4-26	Needle Guide	1
2	101J-02	K3-58	Stitch Stabilizing Guide	1
3	101J-03	LD00521	Screw(9/64-40×2.3)	1
4	101J-04	A11-05	Edge Guide	1
5	101J-05	LD00540	Screw(9/64-40×2.3)	1
6	101J-06	K3-56	Chaining Finger	1
7	101J-07	LD00522	Screw(3/32-56×2.5)	1
8	101J-08	E11-07	Cloth Retainer	1
9	101J-09	LD00522	Screw(3/32-56×2.5)	1
10	101J-10	E11-07	Cloth Retainer	1
11	101J-11	LD00540	Screw(9/64-40×2.3)	1
12	101J-12	A11-09	Cloth Retainer Holer	1
13	101J-13	A11-10	Cloth Retainer Bracket	1
14	101J-14	LD00541	Screw(M10×25)	1
15	101J-15	A11-13	Screw	1
16	101J-16	A11-14	Cloth Retainer Spring Adjusting Screw Prop	1
17	101J-17	LD00508	Screw(9/64-40×7.7)	1
18	101J-18	A11-16	Cloth Retainer Spring Bushing	1
19	101J-19	A11-12	Cloth Retainer Spring	1
20	101J-20	A11-17	Cloth Retainer Spring Pin	1

CM364-QBD3
Blind Stitch Felling Machine

CEDAR *Special*



CM364-QBD3
Blind Stitch Felling Machine

CEDAR *Special*

Ref.No	Assemble.No	Parts.No	Description	Num
1	364QBD3-01	LD00291	Screw(M4× 55)	4
2	364QBD3-02	927Q.1.19	Pressure Foot Cylinder	1
3	364QBD3-03	M12-03*1*2	Push the Foot Joystick	1
4	364QBD3-04	LD00083	Screw(M5× 5)	4
5	364QBD3-05	LD00094	Screw(M5× 12)	1
6	364QBD3-06	M1412	Nut	1
7	364QBD3-07	M1413	Buffer	1
8	364QBD3-08	927Q.2.29	L-Joint	2
9	364QBD3-09	927Q.2.18	One-way Throttle	1
10	364QBD3-10	927Q.2.18	One-way Throttle	1
11	364QBD3-11	927Q.2.18	L-joint	1
12	364QBD3-12	M12-08	Compressor	1
13	364QBD3-13	M12-09	Pressure Wire	1
14	364QBD3-14	TH00029	Spring	1
15	364QBD3-15	M12-12	M8/Nut	1
16	364QBD3-16	M12-13	Spring	1
17	364QBD3-17	M12-14	Primer	1
18	364QBD3-18	M12-15	Shear a line	1
19	364QBD3-19	927Q.1.13	Splint Cylinder	1
20	364QBD3-20	LD00116	Screw(M4× 12)	2
21	364QBD3-21	M12-19	Shear Cylinder Adjustment Block	1
22	364QBD3-22	LD00523	Screw(1/8-44× 5.2)	1
23	364QBD3-23	927Q.1.01	Shear Cylinders	1
24	364QBD3-24	M12-22	Shear Line Cylinder Pin	1
25	364QBD3-25	M12-23	Lift rod spindle	1
26	364QBD3-26	M12-24	String Knife Retaining Column	1
27	364QBD3-27	M12-25	Slitting Blade	1